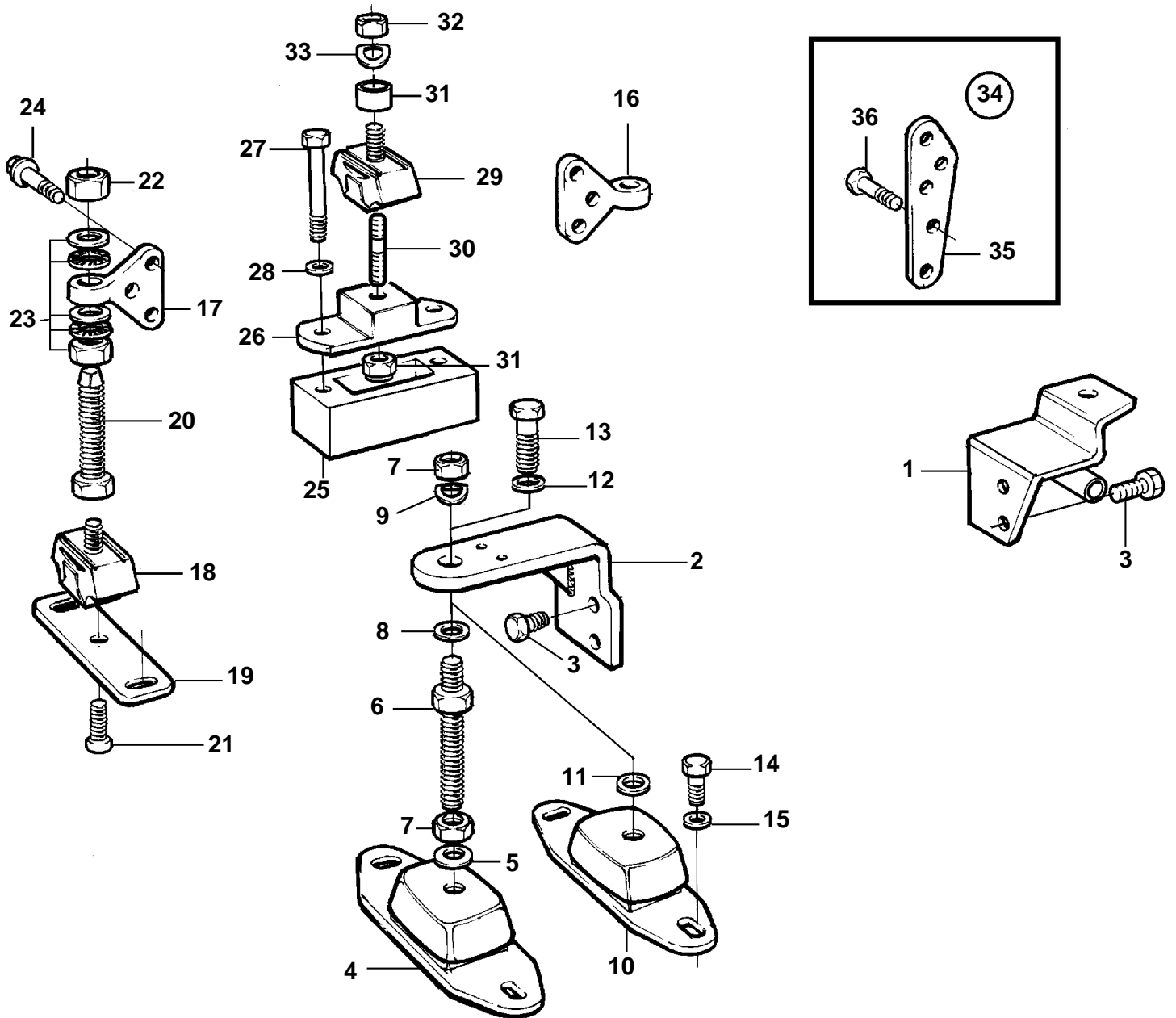


MD2020C, MD2020D



17693

